

## Tectum™ Interior Panel Third Octave Sound Absorption

Rev. June 2015

TECTUM Inc. • P.O. Box 3002 • Newark, OH 43058 • www.tectum.com • 1-888-977-9691

Thickness	Mounting	Frequency Hz																		NRC	Test No.	SAA
		100	125	160	200	250	315	400	500	630	800	1000	1250	1600	2000	2500	3150	4000	5000			
1" - White	A	0.24	0.06	0.08	0.15	0.13	0.13	0.16	0.24	0.25	0.38	0.45	0.56	0.72	0.82	0.75	0.67	0.64	0.73	0.40	RAL-A86-43	0.40
1" - Natural	A	0.03	0.06	0.09	0.09	0.12	0.15	0.20	0.25	0.30	0.39	0.48	0.59	0.71	0.82	0.78	0.69	0.59	0.64	0.40	A120037	0.41
1"	D-20	0.20	0.07	0.11	0.16	0.15	0.18	0.19	0.36	0.40	0.54	0.65	0.74	0.72	0.71	0.65	0.66	0.81	0.87	0.45	RAL-A86-44	0.45
1"	C-20	0.31	0.16	0.18	0.30	0.43	0.58	0.74	1.00	1.08	1.15	1.05	0.96	0.83	0.79	0.79	0.89	0.98	0.99	0.80	RAL-A86-49	0.81
1"	C-40	0.24	0.32	0.39	0.53	0.70	0.83	0.95	1.09	1.08	1.04	0.93	0.81	0.75	0.76	0.81	0.90	0.94	0.97	0.85	RAL-A86-50	0.86
1" Finalé	A	0.09	0.18	0.26	0.30	0.47	0.55	0.70	0.87	0.92	1.02	1.03	0.93	0.83	0.70	0.71	0.86	1.02	1.02	0.75	66411.01A	0.75
1 1/2"	A	0.21	0.07	0.18	0.22	0.22	0.28	0.29	0.48	0.51	0.70	0.82	0.92	0.77	0.64	0.59	0.76	0.96	0.87	0.55	RAL-A86-42	0.54
1 1/2"	D-20	0.20	0.15	0.18	0.25	0.26	0.33	0.40	0.62	0.69	0.87	0.83	0.79	0.72	0.70	0.80	0.91	0.91	0.94	0.60	RAL-A86-45	0.61
1 1/2"	C-20	0.25	0.24	0.32	0.42	0.57	0.75	0.95	1.17	1.11	1.03	0.87	0.80	0.80	0.93	1.06	1.00	0.87	0.86	0.90	RAL-A86-48	0.87
1 1/2"	C-40	0.40	0.40	0.49	0.65	0.84	0.97	1.05	1.18	1.08	0.98	0.84	0.74	0.82	0.94	1.05	0.98	0.88	0.89	0.95	RAL-A86-51	0.93
1 1/2" Finalé	A	0.11	0.27	0.29	0.42	0.46	0.67	0.80	0.97	1.04	1.04	1.01	0.89	0.77	0.70	0.89	1.02	0.89	0.82	0.80	66411.01B	0.81
2"	A	0.25	0.15	0.19	0.24	0.26	0.33	0.44	0.62	0.71	0.91	0.94	0.87	0.70	0.64	0.74	0.95	0.92	0.92	0.60	RAL-A86-41	0.62
2"	D-20	0.28	0.15	0.23	0.30	0.36	0.38	0.49	0.74	0.84	0.90	0.82	0.74	0.72	0.82	0.93	0.90	0.92	0.98	0.70	RAL-A86-46	0.67
2"	C-20	0.35	0.24	0.36	0.49	0.67	0.85	1.04	1.14	1.12	0.97	0.87	0.80	0.91	1.06	1.03	0.92	0.96	1.02	0.95	RAL-A86-47	0.91
2"	C-40	0.42	0.42	0.51	0.67	0.89	1.01	1.07	1.19	1.04	0.89	0.85	0.81	0.94	1.08	1.00	0.92	0.94	0.97	1.00	RAL-A86-52	0.95
1" Lay-In	E-400	0.51	0.40	0.40	0.39	0.43	0.36	0.30	0.35	0.40	0.41	0.48	0.52	0.56	0.60	0.69	0.80	0.93	0.98	0.45	RAL-A86-95	0.46
1" Tonico	E-400	0.46	0.37	0.40	0.42	0.43	0.33	0.28	0.34	0.41	0.38	0.45	0.49	0.49	0.58	0.66	0.77	0.94	1.00	0.45	RAL-A86-94	0.44
1" Note 1	E-400	0.92	1.01	0.96	0.98	0.89	0.94	0.99	1.06	1.03	0.96	0.97	0.94	0.92	0.93	0.91	1.05	1.13	1.17	0.95	RAL-A86-96	0.96
1" Note 2	E-400	0.96	1.14	0.97	0.91	1.01	0.99	0.99	1.06	1.05	0.95	0.94	0.92	0.93	0.93	0.94	1.02	1.12	1.15	1.00	RAL-A86-97	0.97
1" Note 3	E-400	0.50	0.85	0.67	0.81	0.81	0.78	0.80	0.84	0.89	0.85	0.82	0.77	0.77	0.83	0.87	0.93	1.01	1.00	0.85	RAL-A99-167	0.82
1 1/2" Designer	E-400	0.63	0.44	0.44	0.48	0.47	0.35	0.34	0.36	0.47	0.49	0.51	0.54	0.61	0.71	0.84	1.01	1.06	1.10	0.50	RAL-A86-93	0.51
1 1/2" Designer +	E-400	0.68	0.35	0.40	0.48	0.42	0.36	0.35	0.39	0.46	0.46	0.51	0.56	0.63	0.72	0.82	0.97	1.05	1.13	0.50	RAL-A86-92	0.51
2" C-2	E-400	0.66	0.43	0.39	0.54	0.50	0.41	0.36	0.42	0.54	0.55	0.62	0.66	0.76	0.86	0.92	1.00	1.04	1.11	0.60	RAL-A86-91	0.60
3" C-3	E-400	0.88	0.70	0.50	0.59	0.50	0.41	0.44	0.52	0.62	0.66	0.76	0.83	0.90	0.92	0.98	1.10	1.16	1.12	0.70	RAL-A86-90	0.68
1" Fabri-Tough	A	0.03	0.05	0.12	0.10	0.16	0.14	0.19	0.30	0.34	0.48	0.57	0.70	0.88	0.94	0.90	0.79	0.70	0.77	0.50	RAL-A87-279	0.48
1" Fabri-Tough	D-20	0.14	0.13	0.13	0.13	0.19	0.23	0.31	0.45	0.57	0.71	0.86	0.93	0.90	0.80	0.74	0.75	0.84	.96	0.60	RAL-A87-281	0.57
1" Fabri-Tough	C-40	0.39	0.30	0.45	0.52	0.77	0.88	0.91	1.11	1.09	1.05	0.98	0.85	0.84	0.79	0.83	0.93	0.95	1.00	0.90	RAL-A87-280	0.89
1" Fabri-Tough Finalé	A	0.16	0.21	0.28	0.36	0.48	0.68	0.92	1.07	1.15	1.13	1.10	0.99	0.90	0.84	0.84	1.00	1.03	0.98	0.85	A120036	0.87
1" Fabri-Tough II*	A	0.46	0.46	0.51	0.55	0.62	0.73	0.81	0.91	0.90	0.91	0.89	0.82	0.71	0.66	0.74	0.84	0.85	0.83	0.75	RAL-A08-214	0.77

Note 1: Grid Lay-in Panels backed with 6 1/4" fiberglass R-19 Insulation (0.75 pcf density)

Note 2: Tonico Panels backed with 6 1/4" fiberglass R-19 Insulation (0.75 pcf density)

Note 3: Grid Lay-in Panels backed with 3 3/8" fiberglass Insulation (0.75 pcf density)

Note 4: Fabri-Tough II test with Guilford fabrics. Other fabrics may not have the same test results.

C-20 Mounting used OCF Type 703 Insulation

C-40 Mounting used OCF R-8 Noise Barrier Batts (0.75 pcf Density)

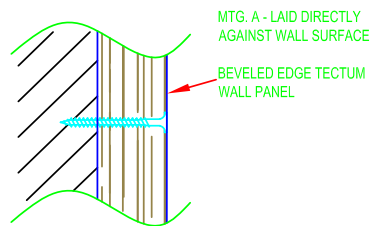
Test Methods conform to ASTM C423 and E795

The NRC is the arithmetic average, rounded to the nearest multiple of 0.05, of the absorption coefficients at the octave band center frequencies of 250, 500, 1000 and 2000 Hz. The SAA, as described in the current ASTM C423.09a, is a single-number rating of sound absorption properties of a material similar to NRC, except that the sound absorption values employed in the averaging are taken at the twelve one-third octave bands from 200 Hz to 2500 Hz, inclusive, and rounding is to the nearest multiple of 0.01.

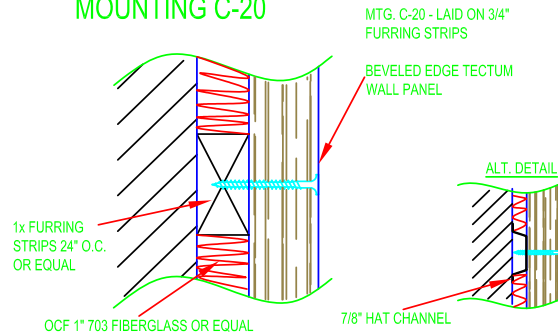
TM Trademark of Tectum Inc.

# TYPICAL MOUNTING DETAILS FOR SOUND ABSORPTION

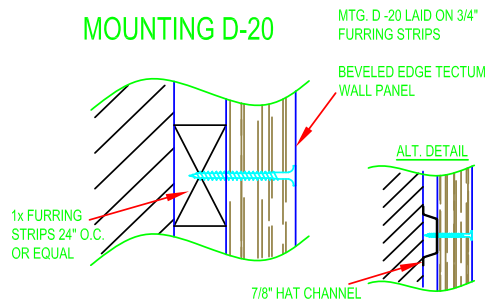
**MOUNTING A**



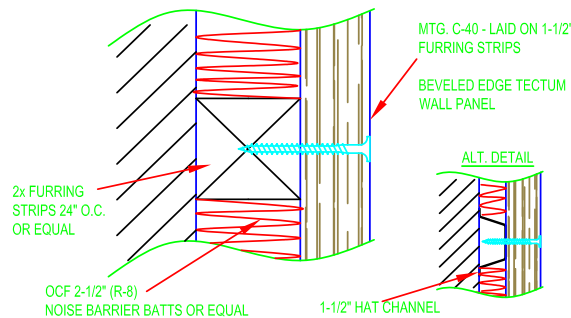
**MOUNTING C-20**



**MOUNTING D-20**



**MOUNTING C-40**



MTG. TYPE	THICKNESS	NRC
A	1"	0.40
A	1-1/2"	0.55
A	2"	.060
D-20	1"	0.45
D-20	1-1/2"	0.60
D-20	2"	0.70
C-20	1"	0.80
C-20	1-1/2"	0.90
C-20	2"	0.95
C-40	1"	0.85
C-40	1-1/2"	0.95
C-40	2"	1.00

\*OCF IS OWENS CORNING FIBERGLASS.

THIRD OCTAVE SOUND ABSORPTION DATA IS SHOWN ON TECHNICAL BULLETIN T-71, PAGE 1.

INSTALL PANELS WITH TECTUM PAINTED HEAD SCREWS.

## MOUNTING FOR SOUND ABSORPTION

DETAIL NUMBER:

**1050**

**SCALE : NTS**

**Revised: 12/16/2013**

**TECTUM**  
The Noise Control Solution

Tectum Inc. · PO Box 3002 · Newark, OH 43058 · www.tectum.com · 1-888-977-9691