

U.L. Listing for Tectum™ I Roof Tile with LWIC

Rev. June 2013

TECTUM Inc. • P.O. Box 3002 • Newark, OH 43058 • www.tectum.com • 1-888-977-9691

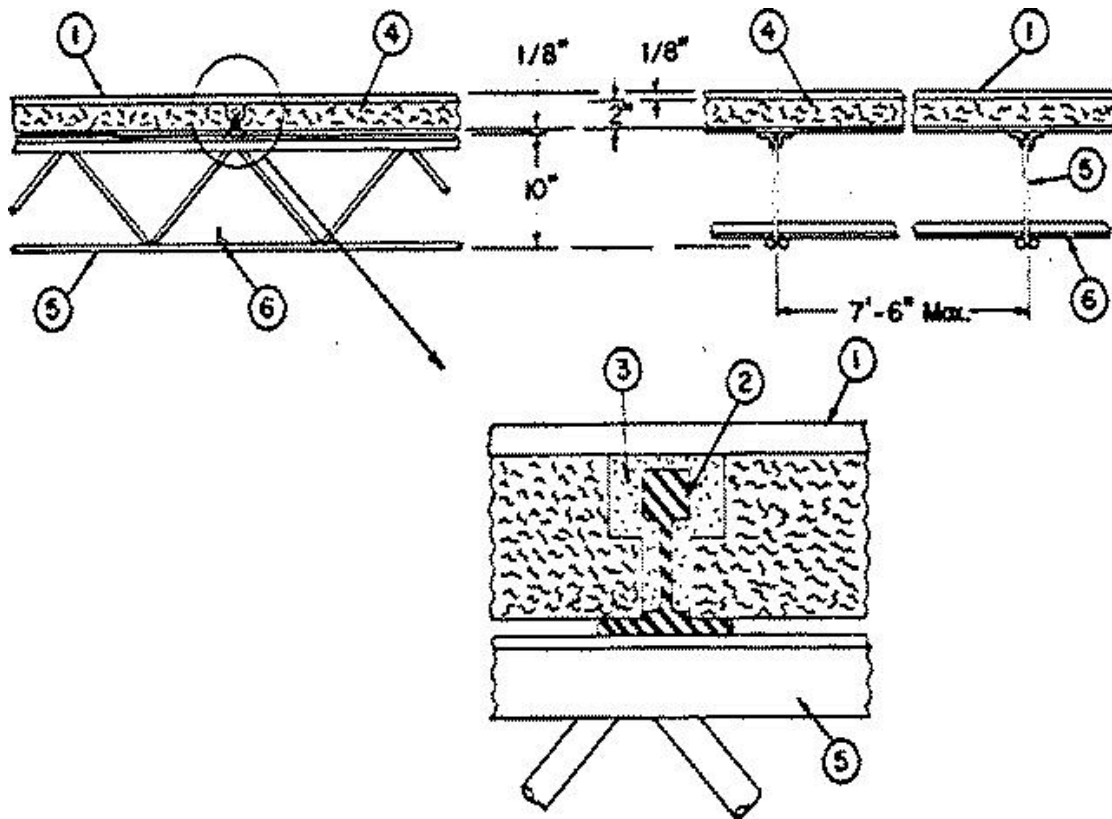
As a result of a joint effort between Tectum Inc., Western Fireproofing of Kansas and Elastizell Corporation, there is a new UL listing for Tectum I Roof Tile (in bulb tees) with LWIC (Light Weight Insulating Concrete) on top of the Tectum tile. The UL number is TGKX.NM511. This provides written proof of the bond between Tectum I Roof Tile and LWIC and that a Class 90 UL uplift can be achieved.

TGKX.NM511
Roof Deck Constructions

Construction No. NM511

February 02, 2006

Uplift — Class 90
Fire — Not Investigated



1. Built-Up Roof* — Classified by Und. Lab. Inc. (Roofing Materials and Systems Directory). One layer of plastic-faced glass scrim ("Chem-Ply roofing sheet") cemented to structural wood-fiber units with cold application cement ("Chem-Ply field adhesive") applied at a nominal rate of 1 gal per 100 sq ft. Adjacent sheets to be lapped 2 in. All laps to be cemented with cold application cement ("Chem-Ply lap adhesive") applied at a nominal rate of ¼ gal per 100 sq ft. As an alternate, minimum three ply, hot mopped, Classes A, B or C, Roofing system. All materials Classified by Und. Lab. Inc.

1A. Roof Topping Mixture — (Optional - Not Shown) - Max 2 in. thick application to Structural Cement Fiber Units (Item 4).

ELASTIZELL CORP OF AMERICA (View Classification) — "Range II Elastizell"

2. Bulb Tee — Type 218 or heavier. Span not to exceed 8 ft, 0 in. Welded to supports with ¾ in. long fillet welds. Two welds on alternating sides required on continuous spans, four welds required at end joints.

3. Grout Mixture — Grout used between structural cement fiber units and bulb tees. Minimum compressive strength 1100 psi.

4. Structural Cement Fiber Unit* — Care is to be taken to assure that units are tightly butted at end joints.

TECTUM INC (View Classification) — "T200 Tectum Tile" , "T250 Tectum Tile" or "T300 Tectum Tile".

5. Joists — Type 10J3 open web steel joists, spaced not more than 8 ft, 0 in. O.C. and welded to supports.

6. Bridging Angle — Welded to joists.

* Bearing the UL Classification Mark