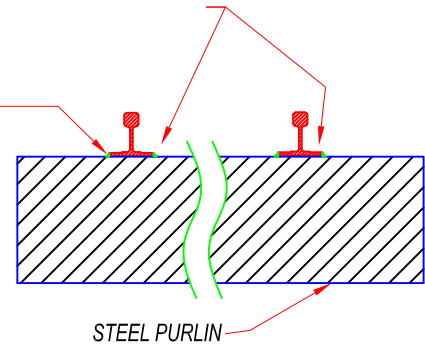


WELD BOTH SIDE
FOR SPANS OVER 84"

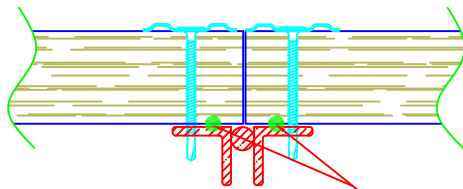
FILLET WELD BOTH SIDES AT TEE ENDS AND
MINIMUM ALTERNATE SIDES ALONG LENGTH



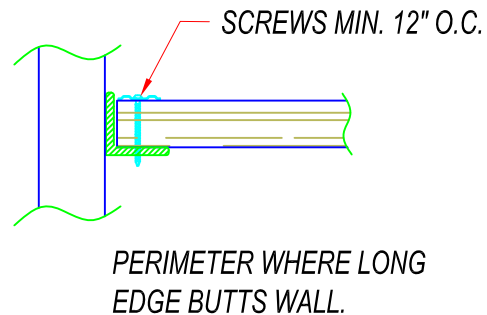
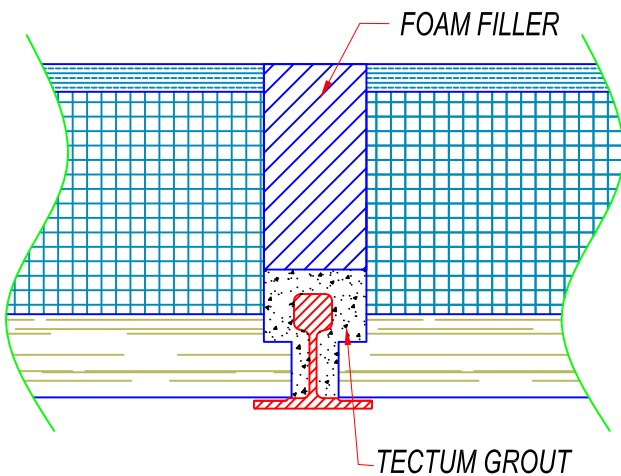
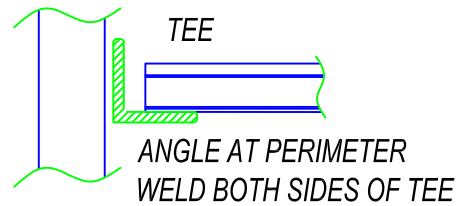
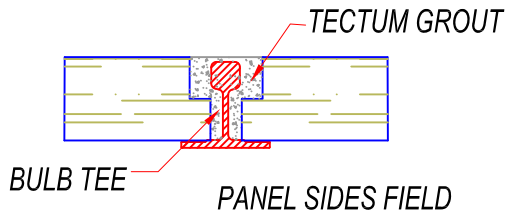
BULB TEES WELDED
TO STEEL PURLINS

TEE

ANGLE AT OVERHANG
WELDED TO TEE



ADHESIVE MEETING THE REQUIREMENTS
OF AFG-01, 3/8" BEAD.



BULB TEE DETAILS

DETAIL NUMBER:

2001

SCALE : NTS

Revised: 03/24/2016

TECTUM_{INC.}
The Noise Control Solution