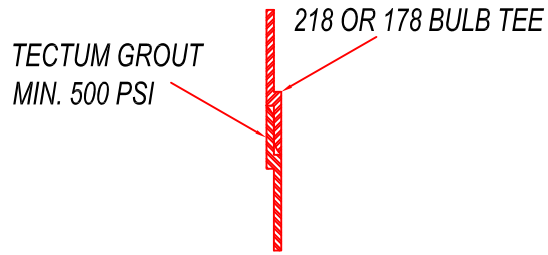
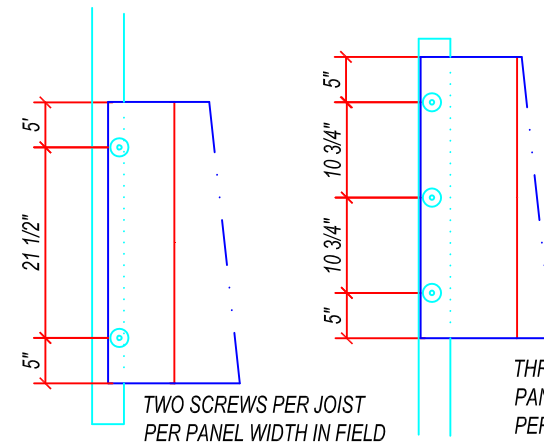
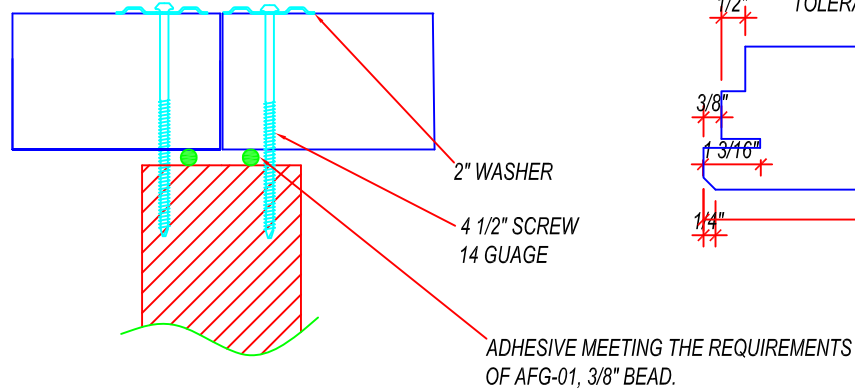


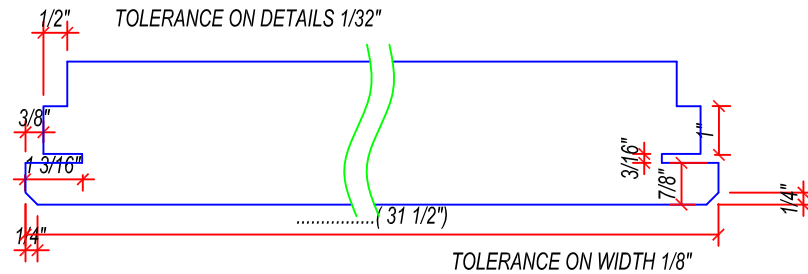
TECTUM CONCEALED TEE DECK HAS BEEN TESTED FOR DIAPHRAGM SHEAR. THE DESIGN SHEAR LOAD FOR PANELS SPANNING 8 FEET BETWEEN STRUCTURAL MEMBERS IS 196 LB/LIN FT. THE VERTICAL DESIGN LOAD IS 50 LB/SQ FT.



FIELD JOINT ATTACHMENT



ROOF DECK FOR CONCEALED BULB TEE  
USE 3" DECK ONLY



## CONCEALED TEE DECK

DETAIL NUMBER:

2003

SCALE : NTS

Revised: 03/24/2016

**TECTUM**<sub>INC.</sub>  
The Noise Control Solution