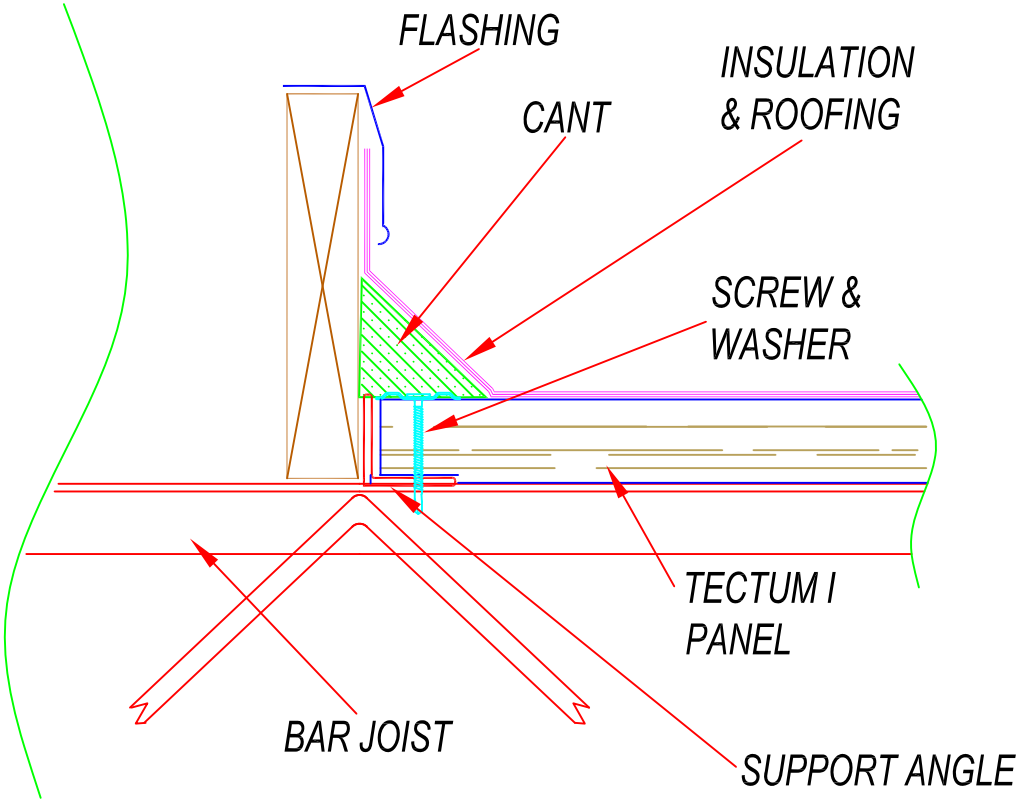
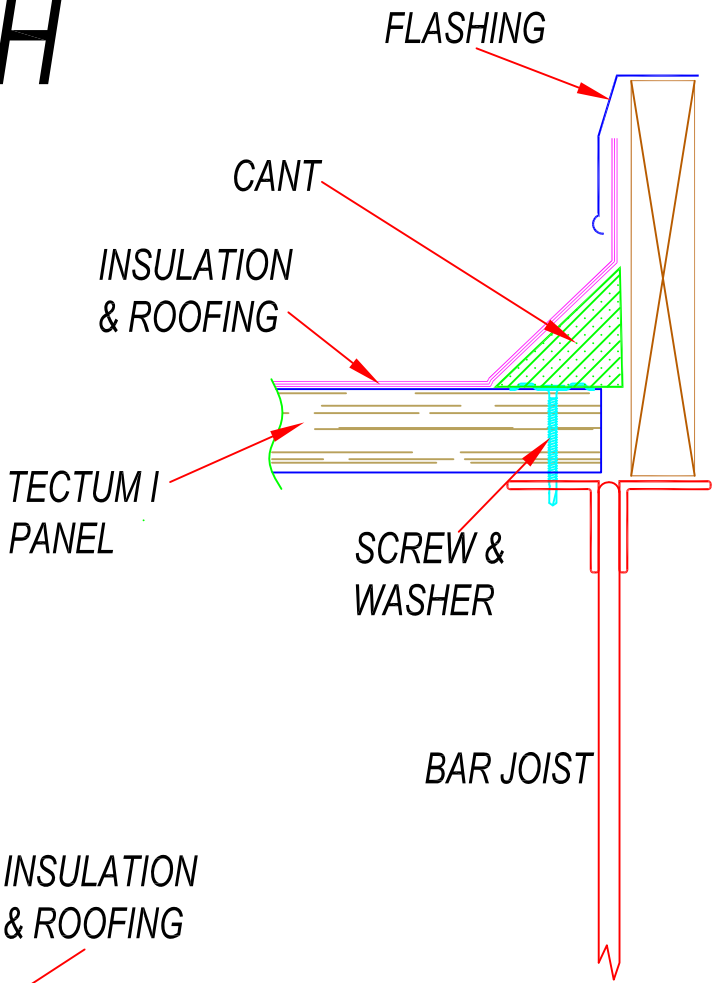


TECTUM I FLUSH TO PARAPET



TECTUM I FLUSH TO PARAPET

DETAIL NUMBER:

2009

SCALE : NTS

Revised: 03/24/2016

TECTUM_{INC.}
The Noise Control Solution