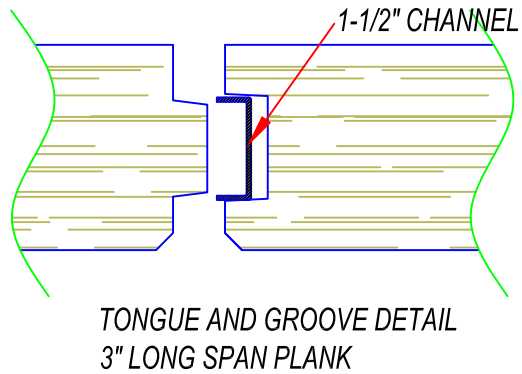
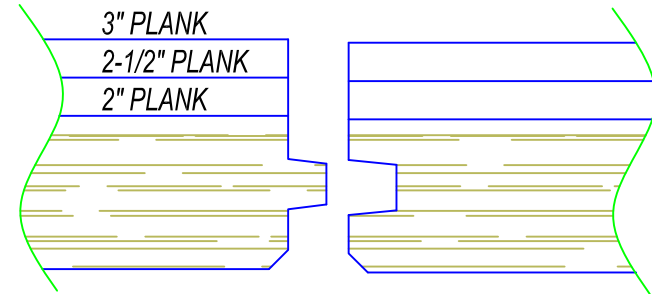


LONG SPAN PLANK DETAIL

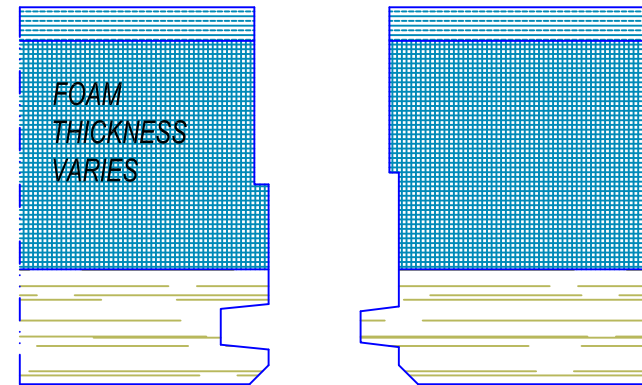
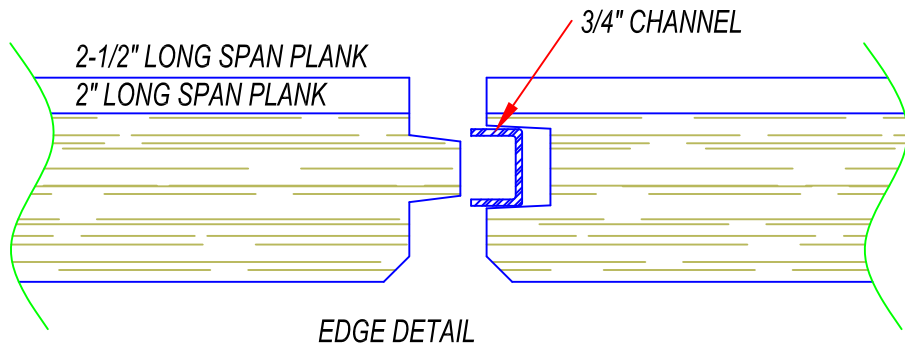
NOTE: CHANNEL ENDS MUST BE OVER STRUCTURAL SUPPORTS



ROOF PLANK DETAIL



COMPOSITE PLANK III / E DETAIL



NOTE: WHEN ADHESIVE IS SPECIFIED, USE A 3/8" BEAD ON THE TONGUE.

PLANK EDGE DETAILS

DETAIL NUMBER:

2013

SCALE : NTS

Revised: 03/28/2016

TECTUM_{INC}

The Noise Control Solution