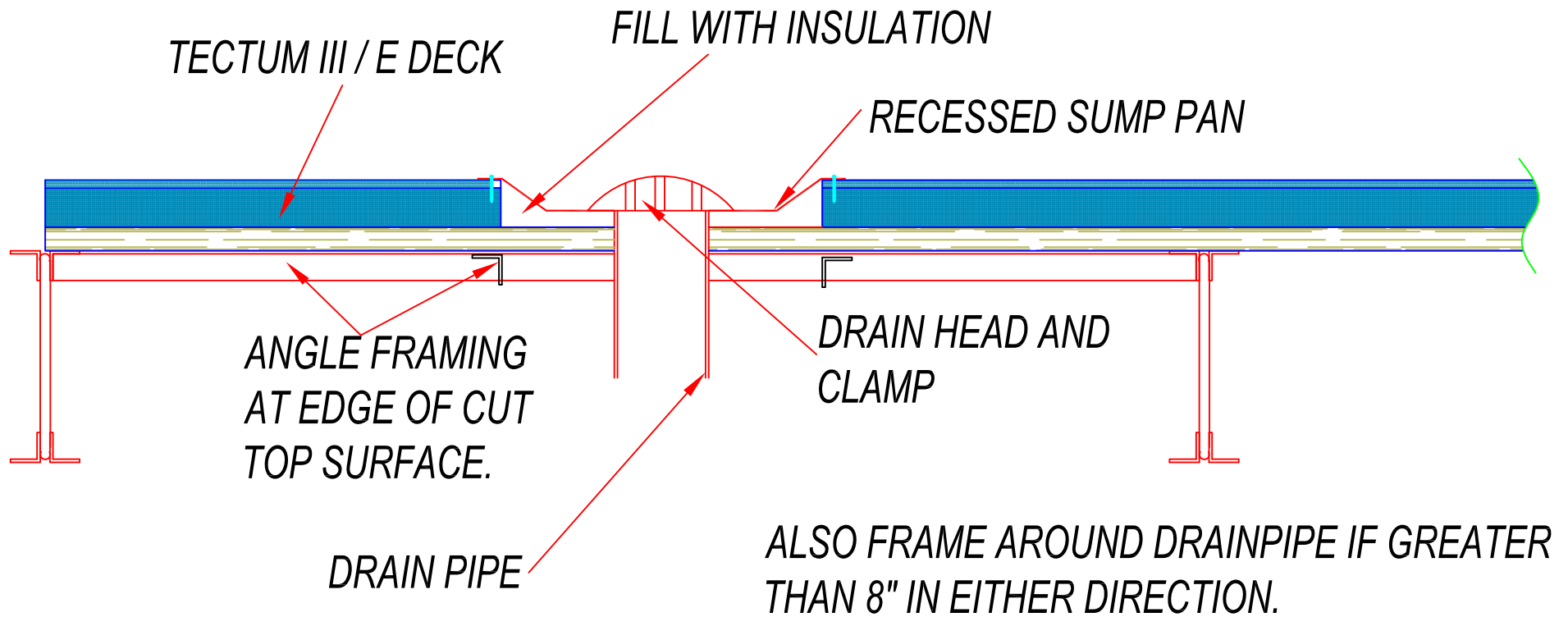


# SUMP PAN, DRAIN, AND ACCESSORIES BY OTHERS. FRAMING BY OTHERS.



## SUMP DETAIL III & E

DETAIL NUMBER:

2023

SCALE : NTS

Revised: 03/28/2016

# TECTUM<sub>INC</sub>

The Noise Control Solution