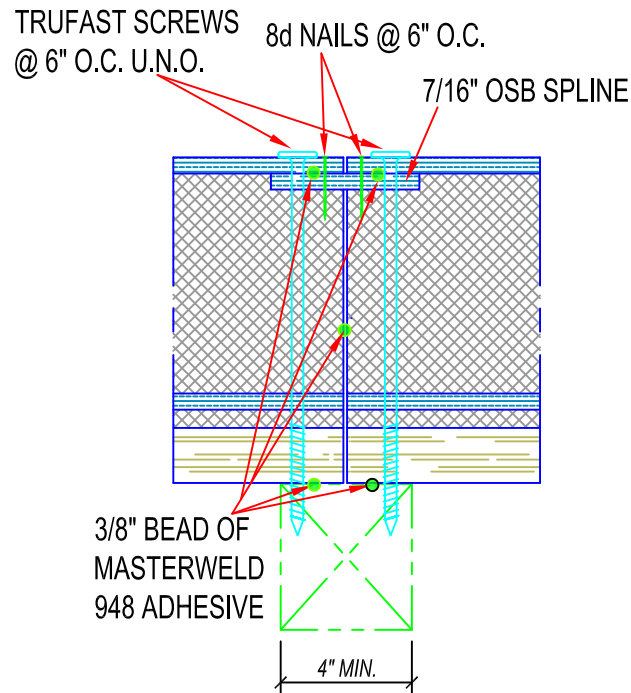
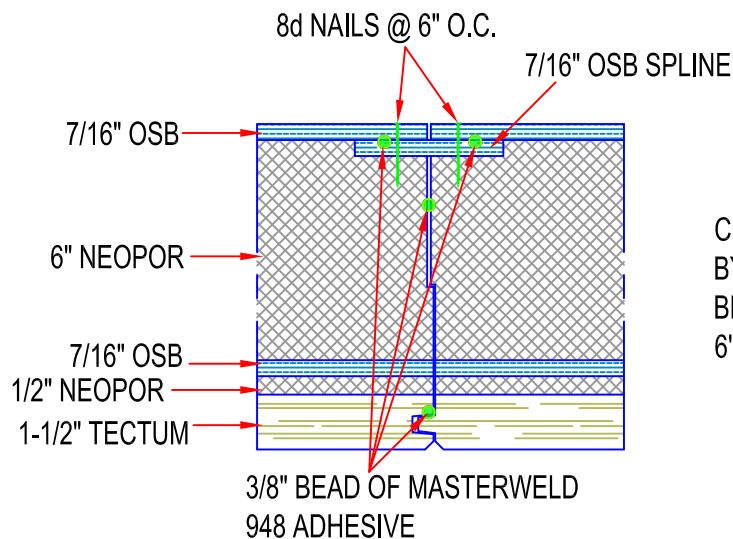


TECTUM V ROOF DECK DETAILS



END JOINTS MUST FALL OVER SUPPORTING MEMBERS
MINIMUM BEARING IS 2" PER PANEL



CONTINUOUS PERIMETER SUPPORT BY OTHER REQUIRED. MINIMUM BEARING IS 3". SCREW PANELS @ 6" O.C. ALONG PERIMETER.

TECTUM V DETAILS

DETAIL NUMBER:

2052

SCALE : NTS

Revised: 03/29/2016

TECTUM
The Noise Control Solution